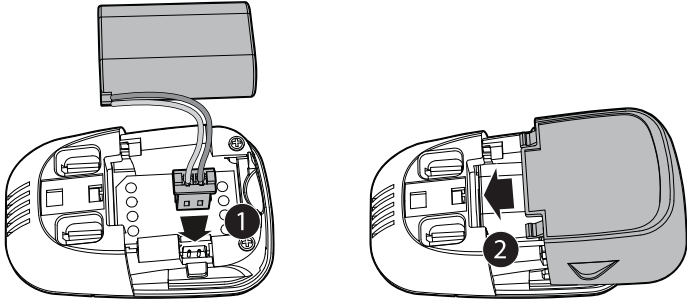


vtech[®]

VCS754 Wireless Mic Battery Installation

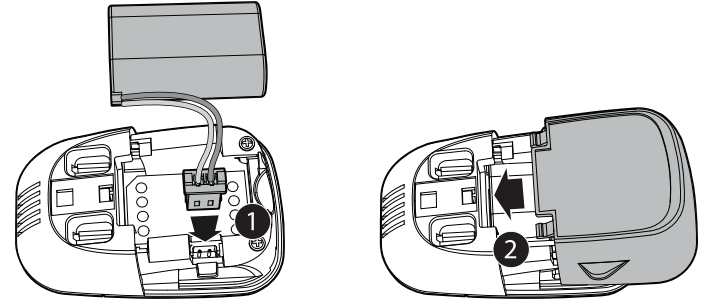


Step 1: Plug the battery connector securely into the socket inside the battery compartment. Insert the battery (with the label **THIS SIDE UP** facing up) into the battery compartment.

Step 2: Slide the battery door until it clicks into place.

vtech[®]

VCS754 Wireless Mic Battery Installation

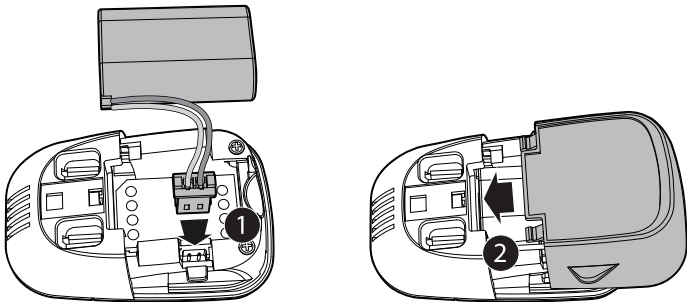


Step 1: Plug the battery connector securely into the socket inside the battery compartment. Insert the battery (with the label **THIS SIDE UP** facing up) into the battery compartment.

Step 2: Slide the battery door until it clicks into place.

vtech[®]

VCS754 Wireless Mic Battery Installation

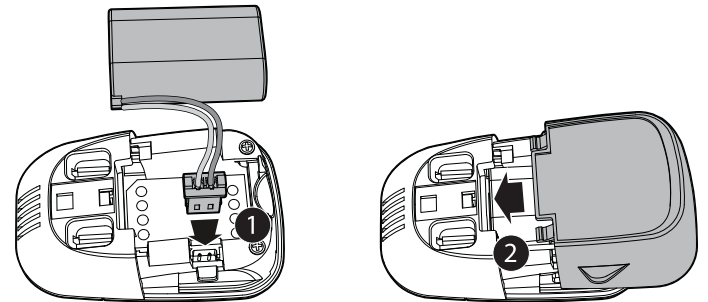


Step 1: Plug the battery connector securely into the socket inside the battery compartment. Insert the battery (with the label **THIS SIDE UP** facing up) into the battery compartment.

Step 2: Slide the battery door until it clicks into place.

vtech[®]

VCS754 Wireless Mic Battery Installation



Step 1: Plug the battery connector securely into the socket inside the battery compartment. Insert the battery (with the label **THIS SIDE UP** facing up) into the battery compartment.

Step 2: Slide the battery door until it clicks into place.